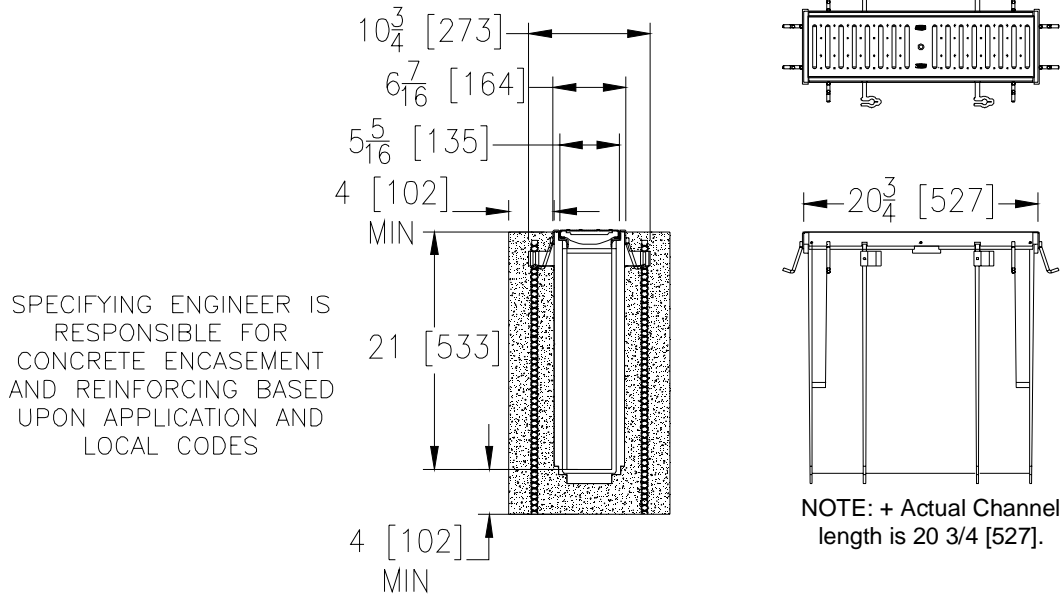




Z887-6-HD-LD

6-7/16 [164] WIDE REVEAL X 20-3/4 [527] LONG CATCH BASIN W/ TAG _____
HEAVY-DUTY FRAME ASSEMBLY W/LIGHT-DUTY GRATES

Dimensional Data (inches and [mm]) are Subject to Manufacturing Tolerances and Change Without Notice



SPECIFYING ENGINEER IS RESPONSIBLE FOR CONCRETE ENCASEMENT AND REINFORCING BASED UPON APPLICATION AND LOCAL CODES

ENGINEERING SPECIFICATION: Zurn Z887-6-HD-LD

Catch Basin shall be 6 [152] long, 20 [508] wide reveal and 20 [508] deep. The body shall be made of 0% water absorbent High Density Polyethylene (HDPE). Shall mechanically lock into the concrete surround a minimum of every 10 [254]. Catch basin shall weigh less than 17 bs.[7.7kg] per linear foot. Catch basin shall have rebar clips standard to secure basin in its final location. Shall be provided with standard RFG grates that lock down with lockdown bar to the basin. Zurn 6 [152] wide reveal Reinforced Galvanized Steel Slotted Grate reinforcing conforming to ASTM specification A536-84, Grade 80-55-06. Fabricated Steel grate is rated class B per the DIN EN1433 top load classifications. Supplied in 20 [508] nominal lengths with 0.375 [10] wide slots, and 0.75 [19] bearing depth. Grate has an open area of 13.68 sq. in per ft. [28,956 sq. mm per meter]. The 0.105 [2.66] thick Heavy-Duty Carbon Steel Frame Assembly conforms to ASTM specification A36 with 4 - 4 [102] long concrete anchors per basin. Frame supplied with powder coated finish. All welds must be performed by a certified welder per ASTM standard AWS D1.1. Frames Shall be produced in the U.S.A. The System loading is based upon the grate being used.

PREFIX OPTIONS (Check/specify appropriate options)

- Z 6-inch by 20-inch High Density Polyethylene (HDPE)*

SUFFIX OPTIONS (Check/specify appropriate options)

Outlet Adapters Add/Each

- E3 3 [76] No-Hub End Outlet
- E4 4 [102] No-Hub End Outlet
- E6 6 [152] No-Hub End Outlet
- U3 3 [76] No-Hub Bottom Outlet
- U4 4 [102] No-Hub Bottom Outlet
- U6 6 [152] No-Hub Bottom Outlet

Frame Options

- CBF Black Acid Resistant Coated Top Frame
- CWF White Acid Resistant Coated Top Frame

Grate Options (Load Classifications are per DIN EN1433)

- GG Fiberglass Grate - Class A
- HPP Heel-Proof Polyethylene Grate - Class A
- RFG Reinforced Galvanized Steel Slotted Grate - Class B *
- RFS Reinforced Stainless Steel Slotted Grate - Class B
- RPG Reinforced Galvanized Perforated Grate - Class B
- RPS Reinforced Stainless Steel Perforated Grate - Class B

Miscellaneous Options

- IA Inlet Adapter - Z886

MADE in the U.S.A. (Load Classifications are per DIN EN1433)

- AWG Aluminum Wire Grate - Class A
- FG Fabricated Galvanized Steel Slotted Grate - Class A
- FS Fabricated Stainless Steel Slotted Grate - Class A
- PG Perforated Galvanized Steel Grate - Class A
- PS Perforated Stainless Steel Grate - Class A
- SBG-L Stainless Steel Bar Grate - Class B

Decorative Grate Options (Load Classifications are per DIN EN1433)

- BCD Bronze Circular Decorative Grate - Class A
- BDD Bronze Diagonal Decorative Grate - Class A
- DCD Ductile Iron Circular Decorative Grate - Class C
- DDD Ductile Iron Diagonal Decorative Grate - Class A
- DOG Ductile Iron Decorative Grate - Class A
- DWV Ductile Wave Decorative Grate - Class A
- GMG Galvanized Steel Mesh Grate - Class A
- HPB Heel-Proof Bronze Slotted Grate - Class A
- HPS Heel-Proof Stainless Steel Slotted Grate - Class A
- SCD Stainless Steel Circular Decorative Grate - Class B
- SDD Stainless Steel Diagonal Decorative Grate - Class B
- SMG Stainless Steel Mesh Grate - Class A
- SOG Stainless Steel Decorative Grate - Class B

Decorative MADE in the U.S.A. (Load Classifications are per DIN EN1433)

- BZ Bronze Decorative Grate - Class A
- NBZ Nickel Bronze Decorative Grate - Class A
- PSR Perforated Stainless Steel Raised Grate - Class A
- SWG Stainless Steel Wire Grate - Class A

*REGULARLY FURNISHED UNLESS OTHERWISE SPECIFIED

Miscellaneous Options

- DB Bottom Dome Strainer
- VP Vandal-Proof Lockdown
- Y Sediment Bucket

REV. A	DATE: 05/05/11	C.N. NO. 121217
DWG. NO. 302145	PRODUCT NO. Z887-6-HD-LD	